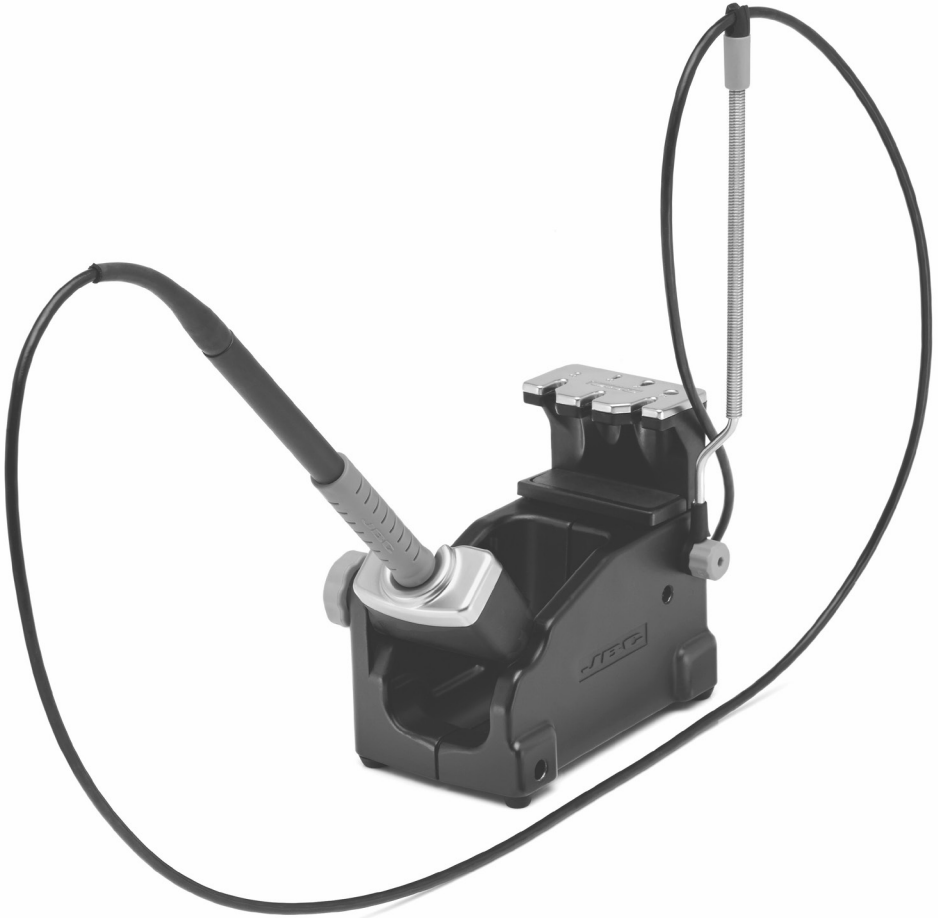


JBC

www.jbctools.com



STANDS

STANDS

STAND



0011283
CONNECTION CABLE 1m



0010154*
CABLE FLANGE

*Only in DR-SC and DS-SC stand



CONNECTION

CONTROL UNIT



STAND



TOOL



All these stands can be connected to the following JBC stations: **DI, DD, DM.**

AD-SD

For **T245-A, T210-A**
soldering handpiece



AP-SD

For **AP130-A** solder feed iron



PA-SD

For **PA120-A** micro tweezers



HT-SD

For **HT420-A** tweezers



DS-SD

For **DS360-A** microdesoldering iron



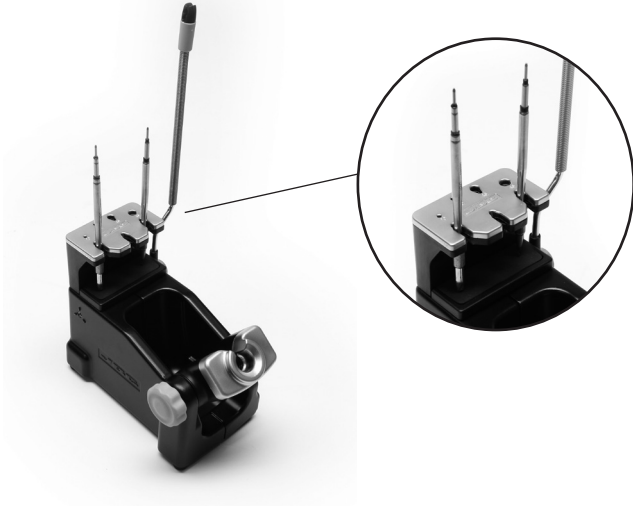
DR-SD

For **DR560-A** desoldering iron

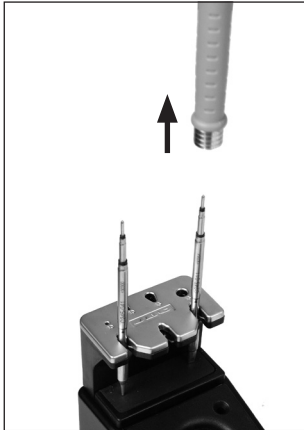


STANDS

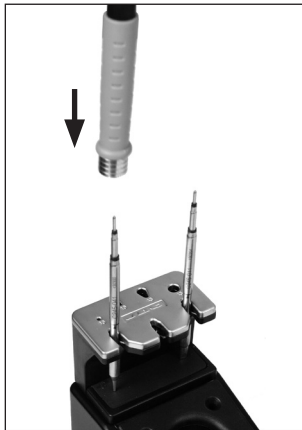
CARTRIDGES EXTRACTOR INSERTER



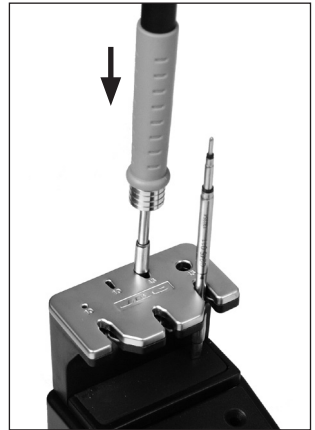
With the JBC system, the cartridge can be changed quickly, without turning off the station, so you have multiple soldering irons in one.



1 Insert the cartridge connected to the handpiece in a slot and pull up slightly to release it.




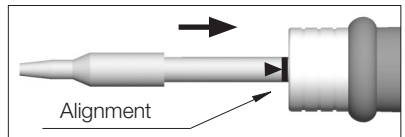
2 Insert the cartridge to be used into the handpiece, push slightly and remove it from the slot.



3 Press the cartridge into the suitable hole depending on the tip's shape.

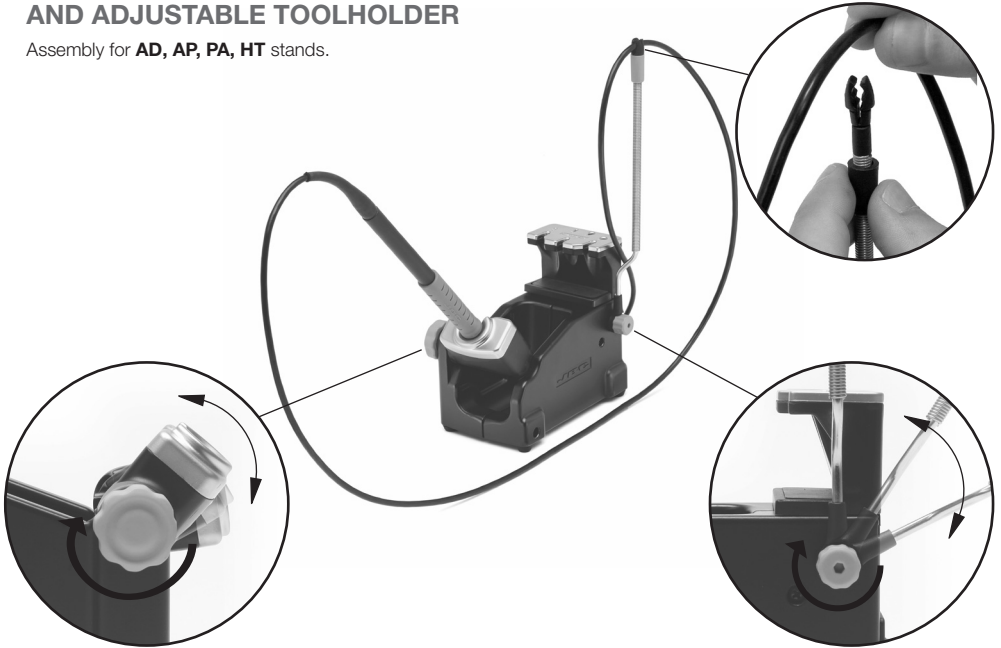
Important

It is essential to insert the cartridge till the end for a good connection. Use the mark  as reference.

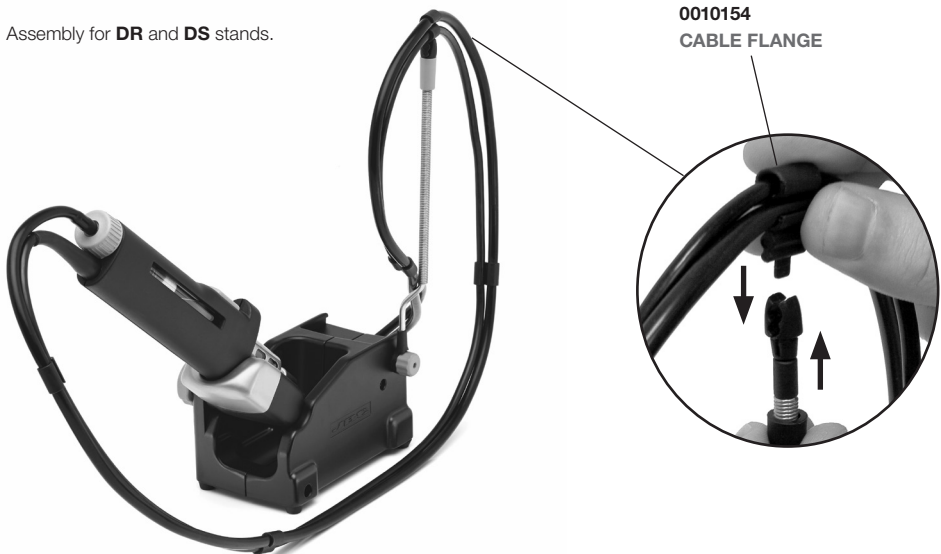


CABLE COLLECTOR ASSEMBLY AND ADJUSTABLE TOOLHOLDER

Assembly for **AD, AP, PA, HT** stands.



Assembly for **DR** and **DS** stands.

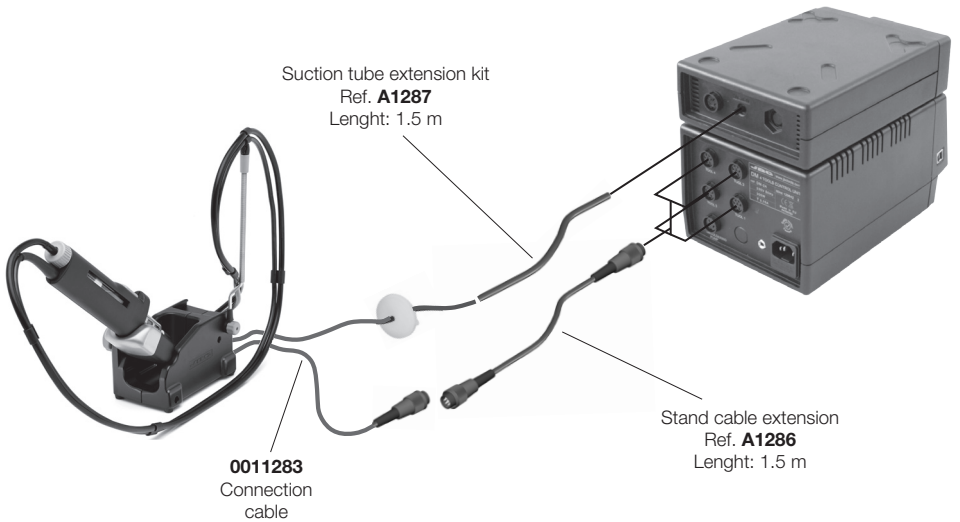


STANDS

HT-SC TOOL PLACEMENT FOR BIG TIPS



CABLE STAND AND SUCTION TUBE EXTENSIONS



ACCESSORIES

CL9885 TIP CLEANING STAND

The most complete cleaning accessory, allowing you to choose between 3 different cleaning methods: metallic wool, metal brush and sponge. Use the integrated wiper to remove excess solder from the tip, you can tap the tip on the wiper profile or you can wipe any possible particle stuck to the tip using the slots. Due to its weight and antislip bumpers, it is totally self contained, portable and ideal for handed use, there is no need to hold with a hand while you are cleaning the tip.

CL6210 Brass wool
CL6205 Inox wool
CL6220 Brushes



S0354 SPONGE

CL0236 WIPER



This product should not be
thrown in the garbage.

JBC

WARRANTY

JBC's 2 years warranty guarantees this equipment against all manufacturing defects, covering the replacement of defective parts and all necessary labour.

Warranty does not cover product wear due to use or mis-use.

In order for the warranty to be valid, equipment must be returned, postage paid, to the dealer where it was purchased enclosing this fully filled in, sheet.

SERIAL N°

STAMP OF DEALER

DATE OF PURCHASE

www.jbctools.com