

JBC

www.jbctools.com



HD-SD

HD STAND

HD-SD / HEAVY DUTY STAND

STAND



0011283

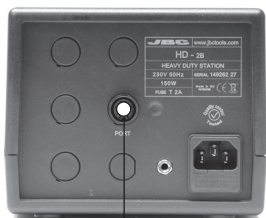
**CONNECTION
CABLE 1m**



MANUAL

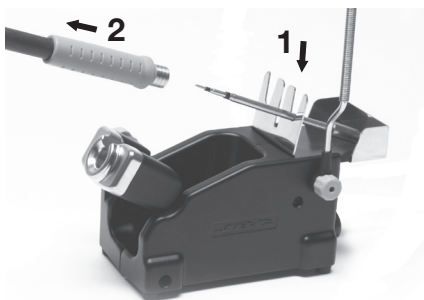


INSTALLATION

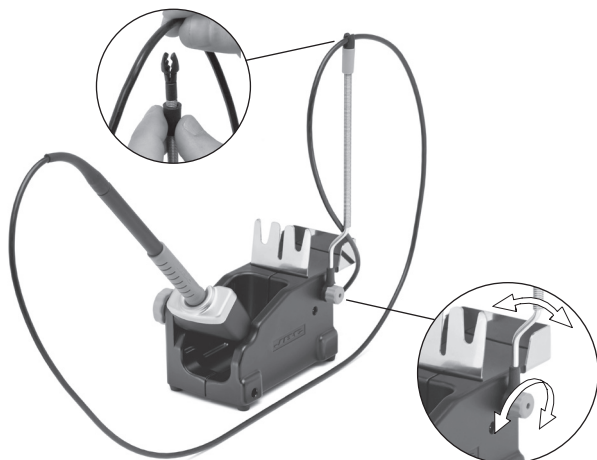


Connectable tools: **T470-A**, **T470-SA**, **T470-FA** and **T470-MA**

CARTRIDGE EXTRACTOR



CABLE COLLECTOR ASSEMBLY





This product should not be
thrown in the garbage.

JBC

WARRANTY

JBC's 2 years warranty guarantees this equipment against all manufacturing defects, covering the replacement of defective parts and all necessary labour.

Warranty does not cover product wear due to use or mis-use.

In order for the warranty to be valid, equipment must be returned, postage paid, to the dealer where it was purchased enclosing this fully filled in, sheet.

SERIAL N°

STAMP OF DEALER

DATE OF PURCHASE

www.jbctools.com

0012637-0113